



Model Number

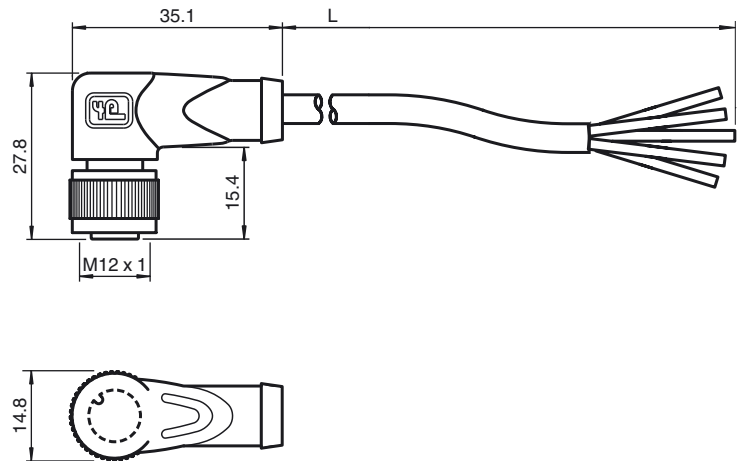
V15-W-BK30M-PUR-U/0,75

Female cordset, M12, 5-pin, PUR cable

Features

- Knurled nut suitable for tool assembly
- Immunity to vibration, with mechanical latching
- Suitable for drag chains
- UL Recognized Component
- Degree of protection IP67 / IP68 / IP69K
- Gold plated contacts

Dimensions



Technical data

General specifications

Number of pins	5
UL File Number	E231213

Electrical specifications

Operating voltage	U_B	max. 60 V AC/DC
Operating current	I_B	max. 4 A
Volume resistance		< 5 m Ω

Ambient conditions

Ambient temperature	Body: -40 ... 90 °C (-40 ... 194 °F) cable, fixed: -40 ... 80 °C (-40 ... 176 °F) cable, flexing: -20 ... 80 °C (-4 ... 176 °F)
---------------------	---

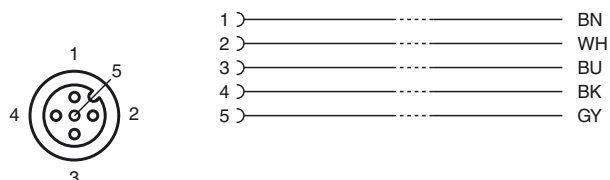
Mechanical specifications

Contact elements	spring-loaded contact socket
Pin diameter	1 mm
Degree of protection	IP67 / IP68 / IP69k
Material	
Contacts	CuSn / Au
Contact surface	Au
Body	TPU, black
Cable	PUR
Slotted nut	Diecast zinc
Core insulation	PP
Cable	fine-strand, flexible
Sheath diameter	\varnothing 6 mm
Bending radius	> 10 x cable diameter, appropriate for conveyor chains > 5 x cable diameter, fixed
Color	black
Number of cores	5
Core cross-section	0.75 mm ²
Conductor construction	42 x 0.15 mm \varnothing
Length	L 30 m
Drag chain suitability	
Drag chain cycles	\geq 2000000
Motion velocity	\leq 3.3 m/s
Traverse distance	5 m
Acceleration	\leq 5 m/s ²
Torsional stress	\pm 180°/m
Flammability	
Contact carrier	HB
Housing	V-2

Compliance with standards and directives

Standard conformity	
Degree of protection	EN 60529:2000

Electrical connection





Standards	IEC 61076-2-101:2008
Flammability	Grip: UL 94
Approvals and certificates	
UL approval	cURus AWM 20549 AWM I/II A/B 80°C 300V FT2 (cable)

Release date: 2016-06-29 10:12 Date of issue: 2016-06-29 239999-0025_eng.xml